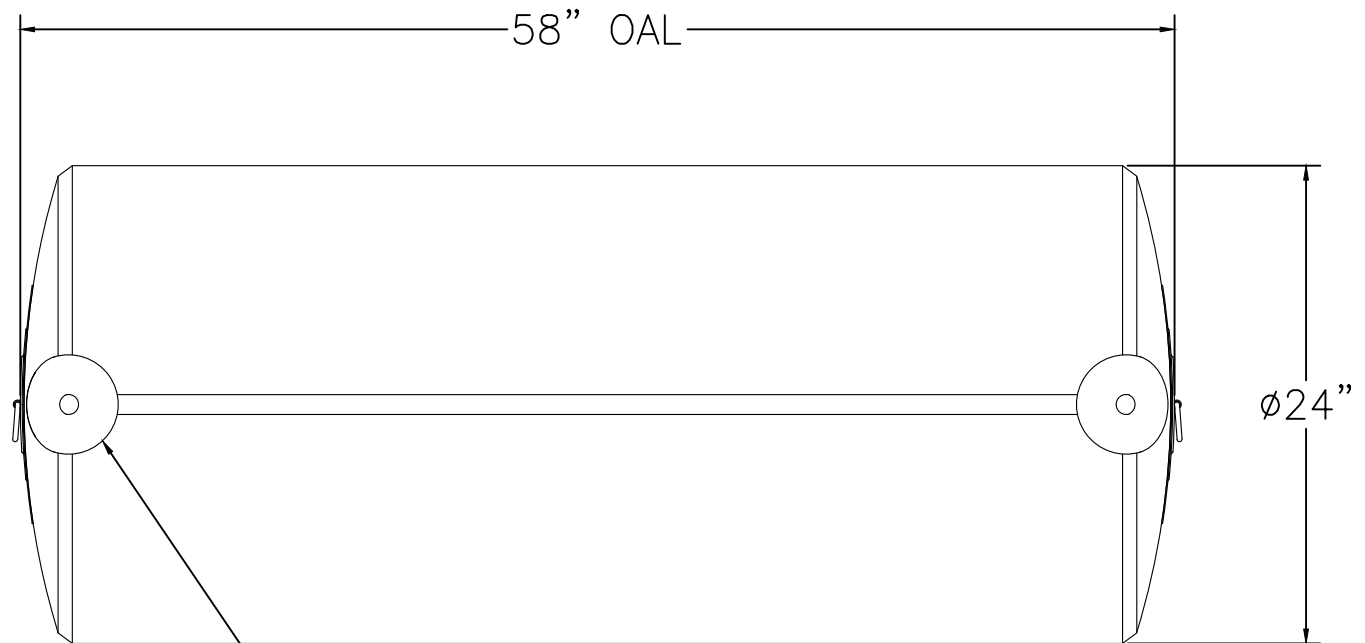
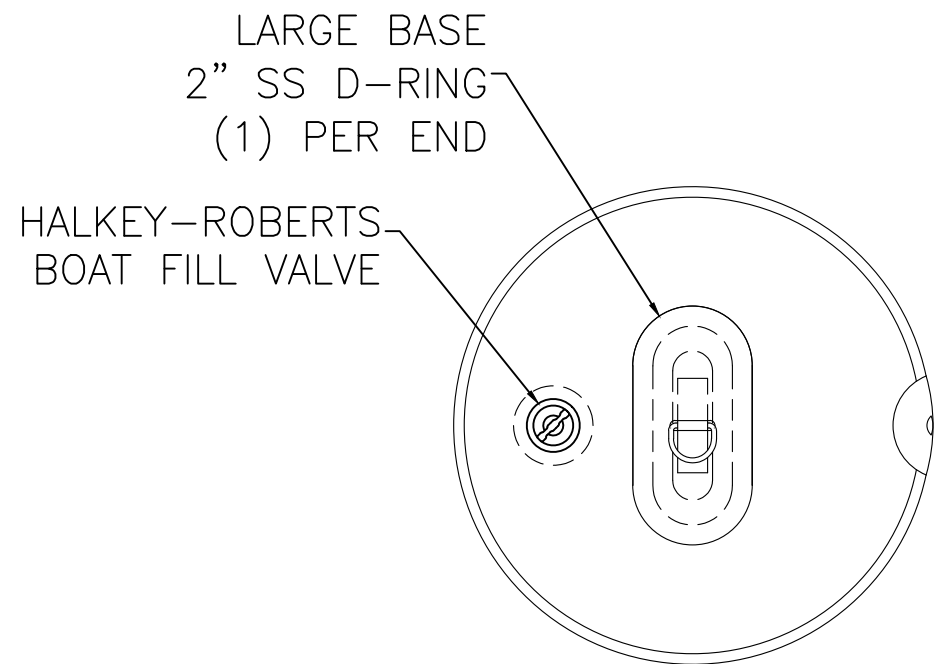


Copyright Cypogenix Plastics, Inc. All rights reserved. This drawing, and all specifications and information herein are the exclusive property of CPI. Any reproduction or use of this information without express written permission is prohibited.



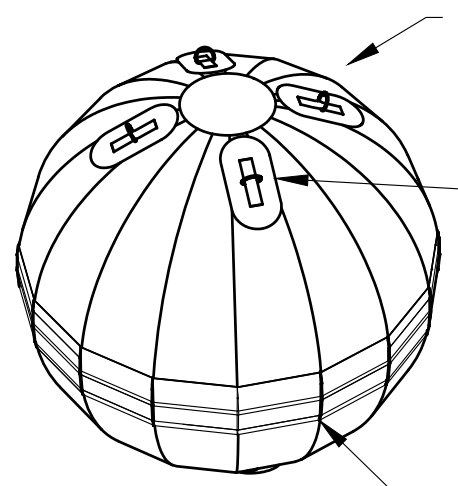
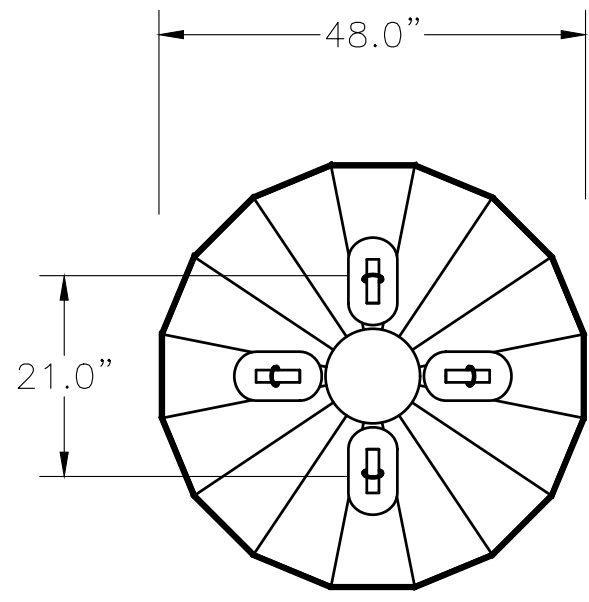
URETHANE WEAR PADS
ON SEAM WEAR POINTS

STANDARD TOLERANCES (U.N.O)		UNITS: INCHES
X.XX = ± 0.01	FRACT. ± 1/16	
X.XXX = ±0.005	ANGLES: ± .5°	SCALE: nts

CPI Marine Division
 P.O. Box 2040, Kyle, Texas 78640
 Tel (512) 295-2683 Fax (512) 295-2245

DOCKING FENDER
ø24" X 58" OAL
DOCKING SOLUTIONS

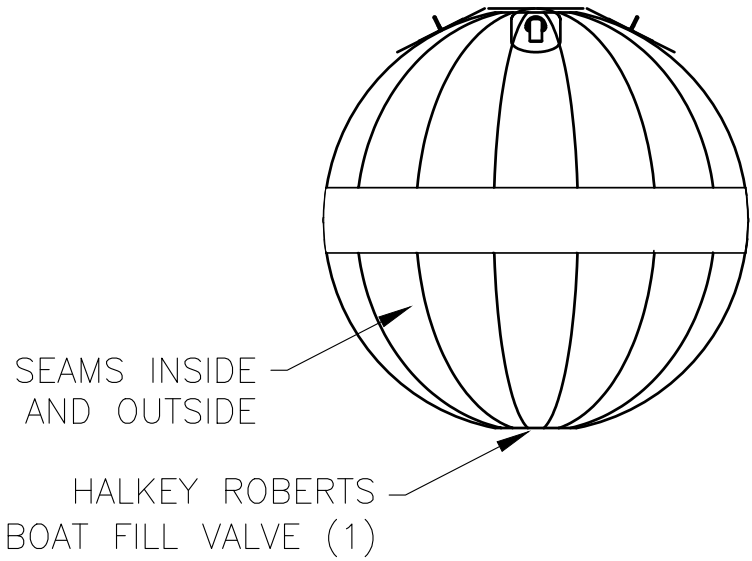
DN: JT	DATE: 6/5/2024
CHK: WRM	DATE:
REV: 0	
DWG: 24DIAx58	



D-RINGS ARE WELDED
AND/OR MOUNTED
INSIDE

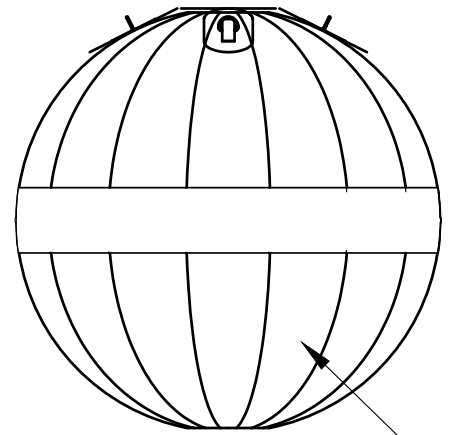
LARGE BASE
2" SS D-RING
(4) PER END

HEAVY DUTY
WEAR STRIP



SEAMS INSIDE
AND OUTSIDE

HALKEY ROBERTS
BOAT FILL VALVE (1)



1.5MM PVC
FABRIC

STANDARD TOLERANCES (U.N.O)		UNITS: INCHES
X.XX = ± 0.01	FRACT. ± 1/16	SCALE: NTS
X.XXX = ± 0.005	ANGLES: ± .5°	

CPI Marine Division
 P.O. Box 2040, Kyle, Texas 78640
 Tel (512) 295-2683 Fax (512) 295-2245

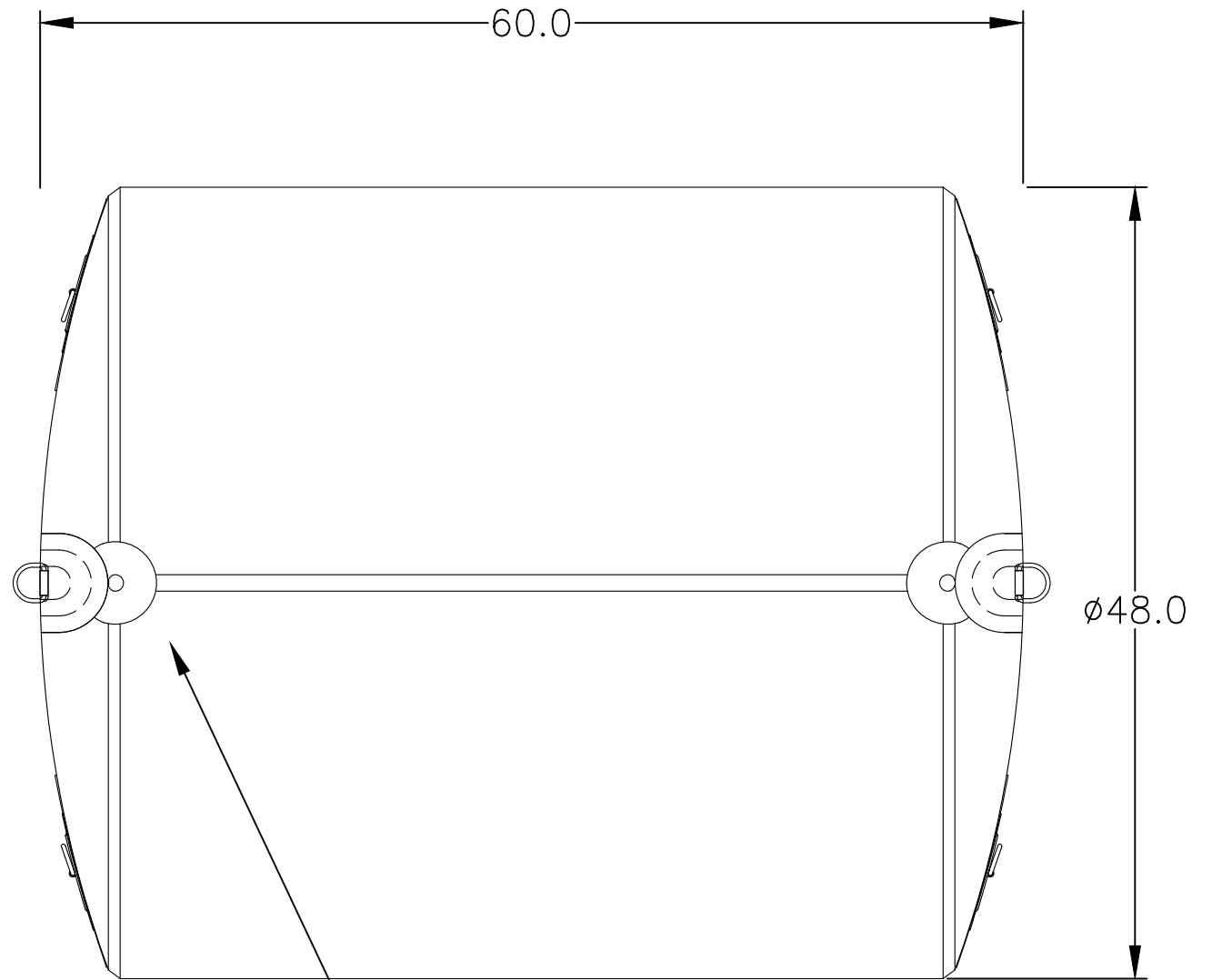
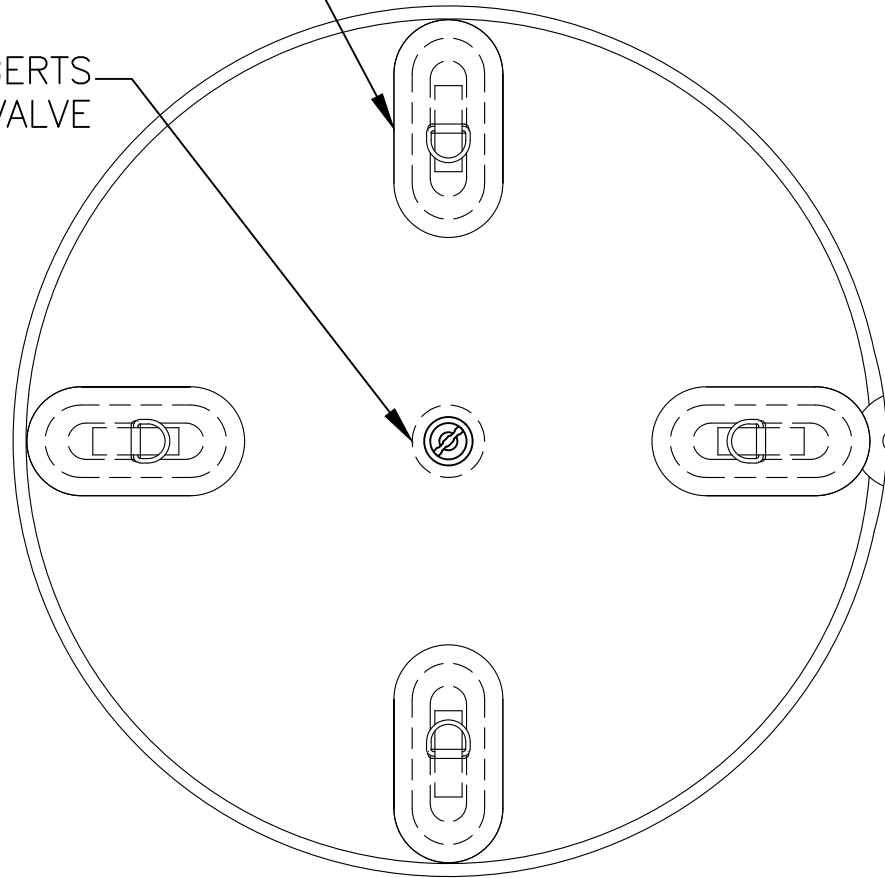
GENERAL ASSEMBLY
 BALL FENDER
 RIB

DN: JT	DATE: 6/5/2024
CHK: WRM	DATE: 6/5/2024
REV: -	
DWG: P14133	

Copyright Cypsenic Plastics, Inc. All rights reserved. This drawing, and all specifications and information herein are the exclusive property of CPI. Any reproduction or use of this information without express written permission is prohibited.

LARGE BASE
2" SS D-RING
(4) PER END

HALKEY-ROBERTS
BOAT FILL VALVE



URETHANE WEAR PADS
ON SEAM WEAR POINTS

STANDARD TOLERANCES (U.N.O)		UNITS: INCHES
X.XX = ± 0.01	FRACT. ± 1/16	
X.XXX = ±0.005	ANGLES: ± .5°	SCALE: nts

CPI Marine Division
 P.O. Box 2040, Kyle, Texas 78640
 Tel (512) 295-2683 Fax (512) 295-2245

DOCKING FENDER
ø48" X 60" OAL

DN: JT	DATE: 6/4/2024
CHK: WRM	DATE:
REV: 0	
DWG: 48DIAX60	